

# CULLA TITAN 80 / 120



CORTEN 120X120



CORTEN 60X120



ALLUMINIUM 60X120



INDIUM 60X120



PLATINUM 60X120



**CULLA**  
COD. 108315

**SET**  
COD. 108317

**CM**  
123X10HX74

**KG**  
172



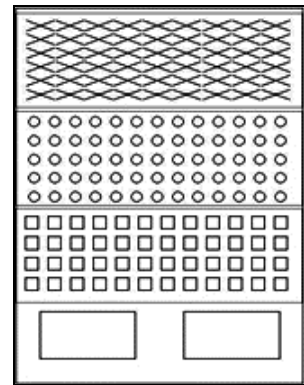
**CM**  
125X125X42

**TOT.**  
187 KG

# CULLA TITAN 80 / 120



FRONTE PANN. 60X80 COMUNIC.



RETRO PANN COMUNIC.  
DEC. TITAN + TOZZ.TWO



CEMENT 80X80



CANYON 80X80



CHALK 80X80



**CULLA**  
COD. 108315

**SET**  
COD. 108317

**CM**  
123X10HX74

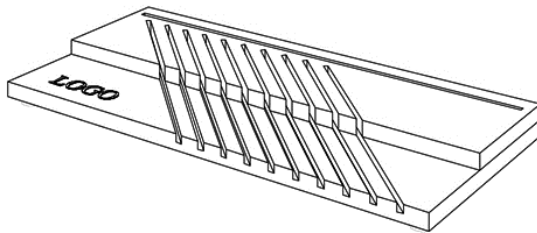
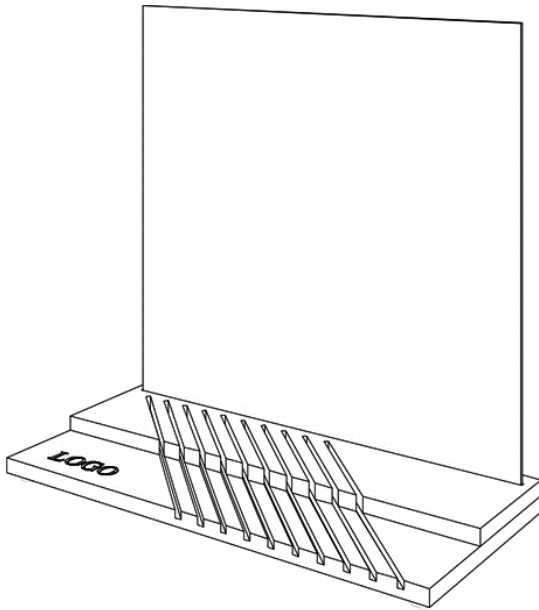
**KG**  
172



**CM**  
125X125X42

**TOT.**  
187 KG

# ZATTERA TITAN 60 / 80 / 120



CORTEN 60X120



ALLUMINIUM 60X120



INDIUM 60X120



PLATINUM 60X120



**ZATTERA**  
COD. 109244

**SET**  
COD. 109558



**CM**  
126X8HX59,5

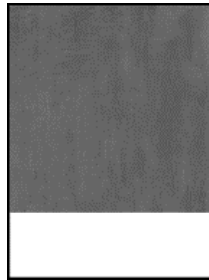
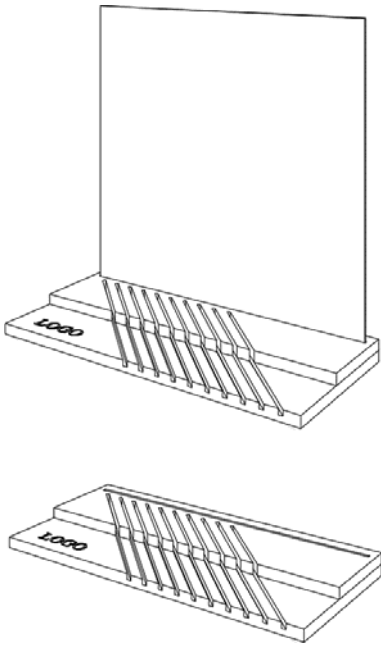
**KG**  
164



**CM**  
133X88X38

**TOT.**  
179 KG

# ZATTERA TITAN 60 / 80 / 120



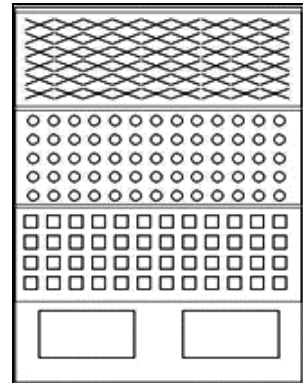
ALUMINIUM 60x60 su PANN



FRONTE PANN. 60X80 COMUNIC.



INDIUM 60x60 su PANN



RETRO PANN COMUNIC.  
DEC. TITAN + TOZZ.TWO



CEMENT 80X80



CANYON 80X80



CHALK 80X80



**ZATTERA**  
COD. 109244

**SET**  
COD. 109558

**CM**  
126X8HX59,5

**KG**  
164



**CM**  
133X88X38

**TOT.**  
179 KG

COD. 110199

COD. 110200

60x60-30x60-DEC. TITAN

80x80-60x60-30x60-TOZZ. TWO

ALUMINIUM  
COD. 110201

CORTEN  
COD. 110202

INDIUM  
COD. 110203

PLATINUM  
COD. 110204

CHALK  
COD. 110205

CEMENT  
COD. 110206

CANYON  
COD. 110207

60X120

ALUMINIUM  
COD. 110208

CORTEN  
COD. 110209

INDIUM  
COD. 110210

PLATINUM  
COD. 110211

CHALK  
COD. 110212

CEMENT  
COD. 110213

CANYON  
COD. 110214

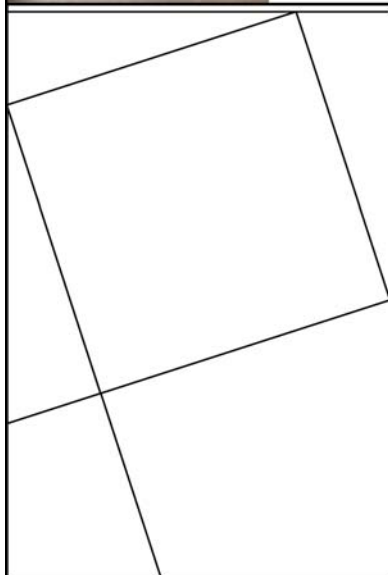
60X60



CHALK  
COD. 110215

CEMENT  
COD. 110216

CANYON  
COD. 110217



80x80